

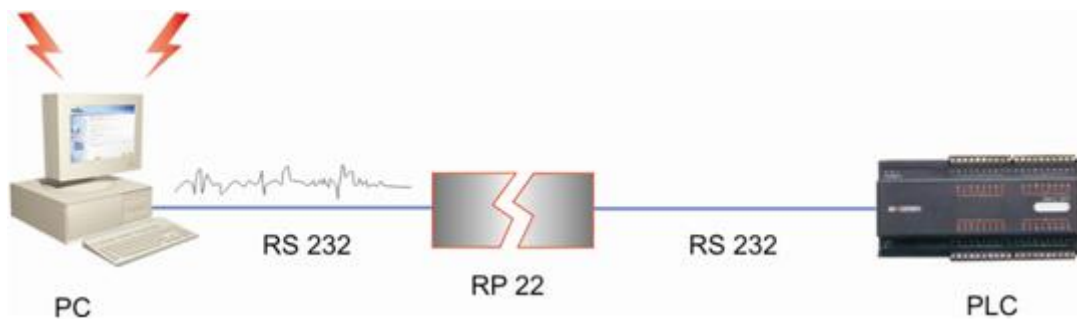
# RS-232 Optical Isolator RP22



- Lighting Surges Protection
- 115.2 kbps Data Rate
- 2500 VAC Isolation
- DB9 Connection

**RS-232 Optical Isolator RP22** is designed for isolates and protects RS-232 Equipment from lightning surges, accidental high-voltage short, and ground loop. RS-232 data signals TD, RD, RTS, and CTS are supported at up to 115.2 kbps. The RP22 provides 2500 V RMS of isolation between sides.

Typical DTE devices include PCS, terminals, and printers. Typical DCE devices include modems and multiplexers. Most computer DTE ports are male and most DCE ports are female. If the RP22 inserted into a working system, it will only pass signals if inserted correctly. Therefore, if devices communicate with each other without the RP22 in the line, but not after it is installed, simply reverse the isolator using gender and reinstall.



ป้องกันความเสียหายระหว่างอุปกรณ์จากสัญญาณรบกวนหรือฟ้าผ่า

## Specifications

### Serial Interface

**Serial Standards:** RS-232

(To DTE = DB9 Female, to DCE = DB9 Male)

**Transmission Mode:** Asynchronous,  
Half/Full-Duplex, Point-to-Point  
Communications

**Signals Support:** Transmit Data, Receive  
Data, Request To Send, Clear To Send

**Data Rate:** Up to 115.2 kbps

**Isolation:** 2500 V RMS isolation for 1 min  
(may be limited by external supply)

### Power Requirements

**Power Supply:** 12 VDC (not included)

**External Power Connection:** 2.5 mm  
Power Jack

### Power Consumption

**Standby:** 100 mA

### Environmental Limits

**Operating Temperature:** 0 to 55 °C

**Operating Humidity:** 5 to 95% RH

**Storage Temperature:** 0 to 70 °C

### Physical Characteristics

**Dimension:** W117 x H65 x D23 mm.

### Warranty

**Warranty Period:** 5 Year

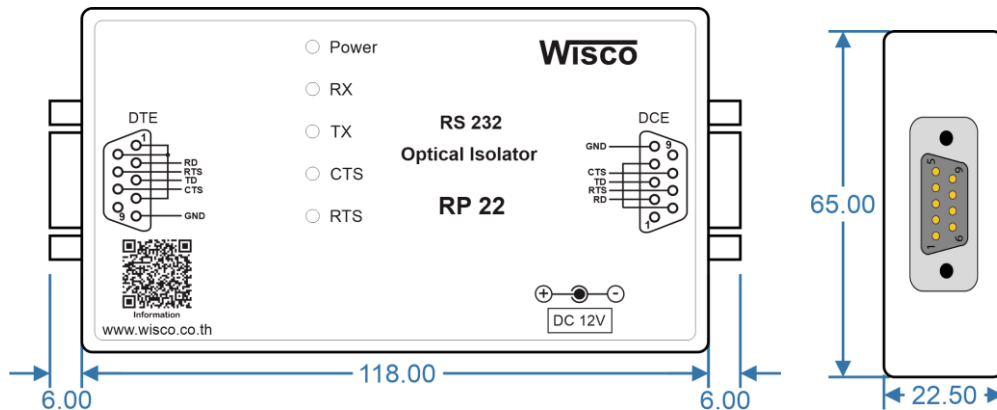
## Ordering Information:

Example RP22

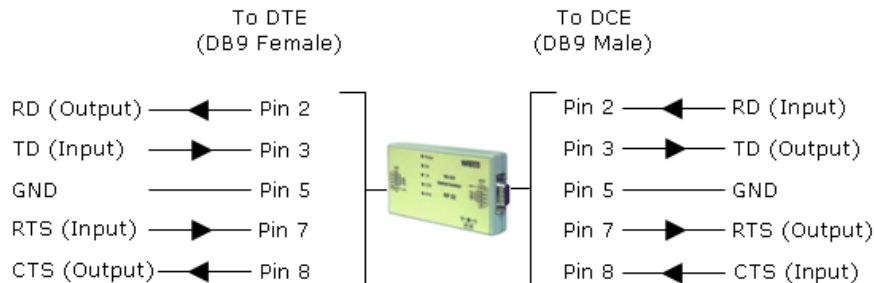
### Package Checklist

1. RP22
2. RS-232 Cable
3. Adapter 9 VDC

**Dimension** (Unit: mm.)



## Connector



\* Pins connected together inside unit